
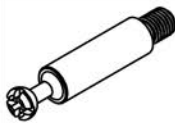






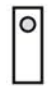




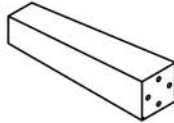



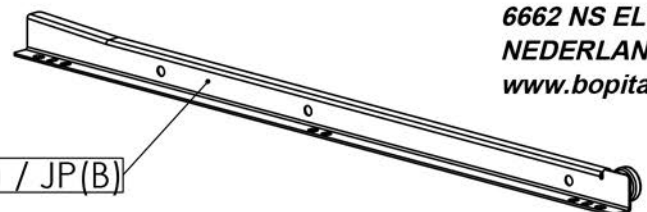
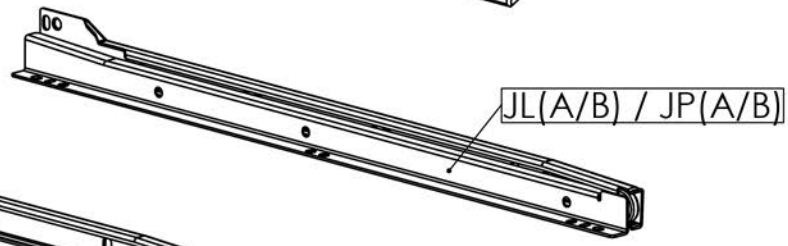
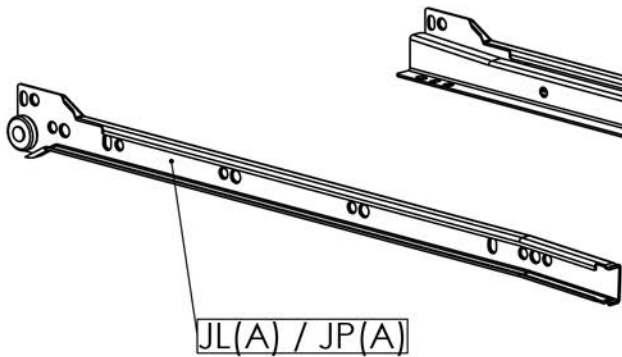
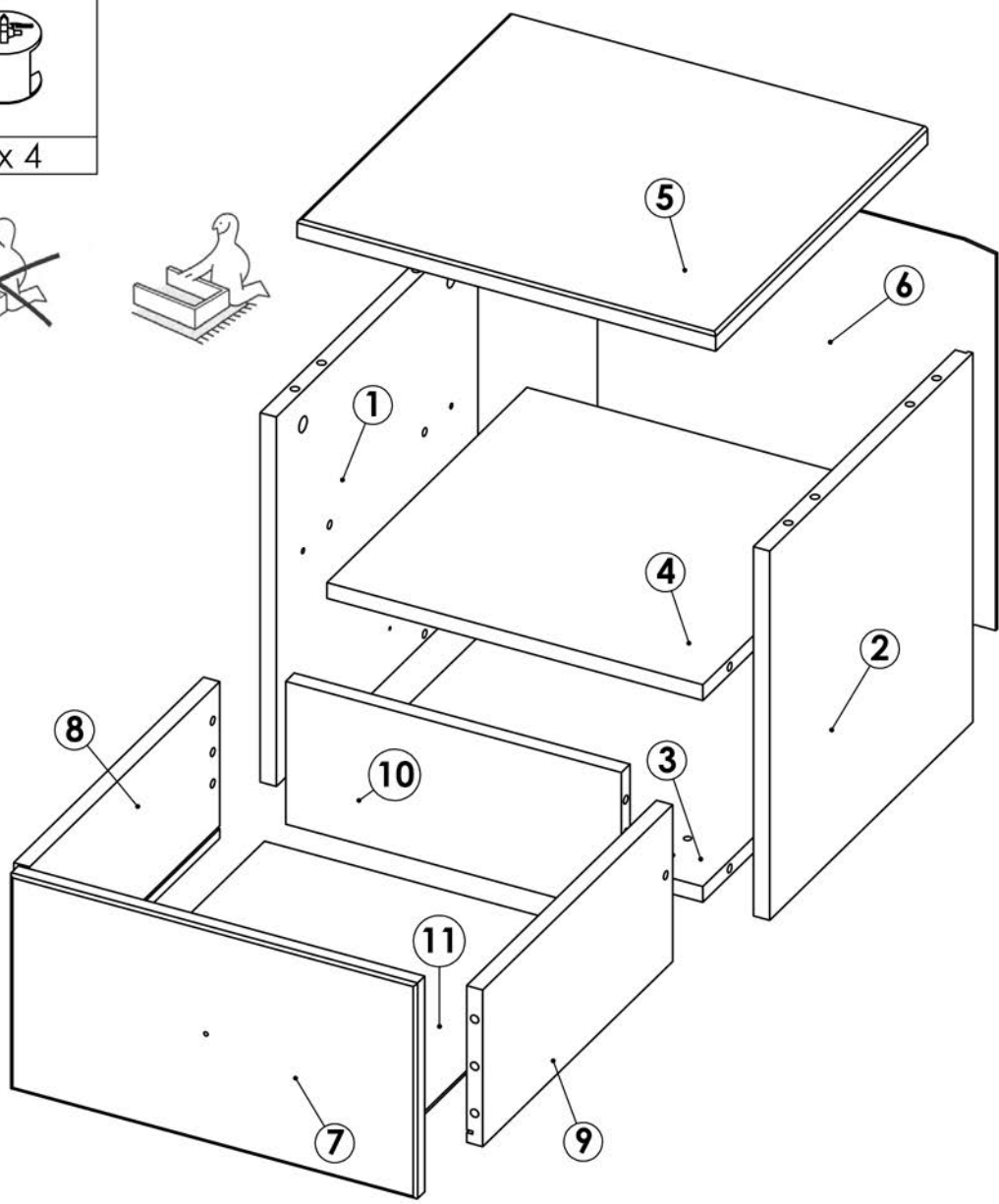
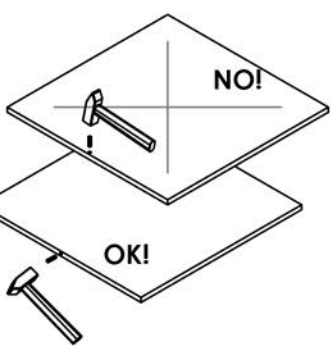
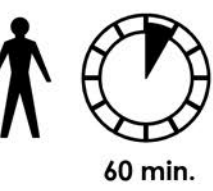
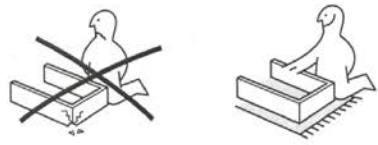
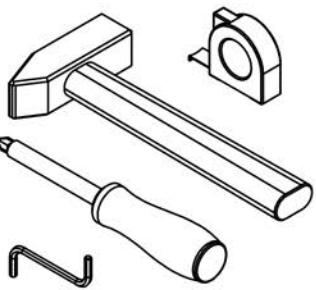


# NIGHT TABLE INDY

Art. code: 13319503

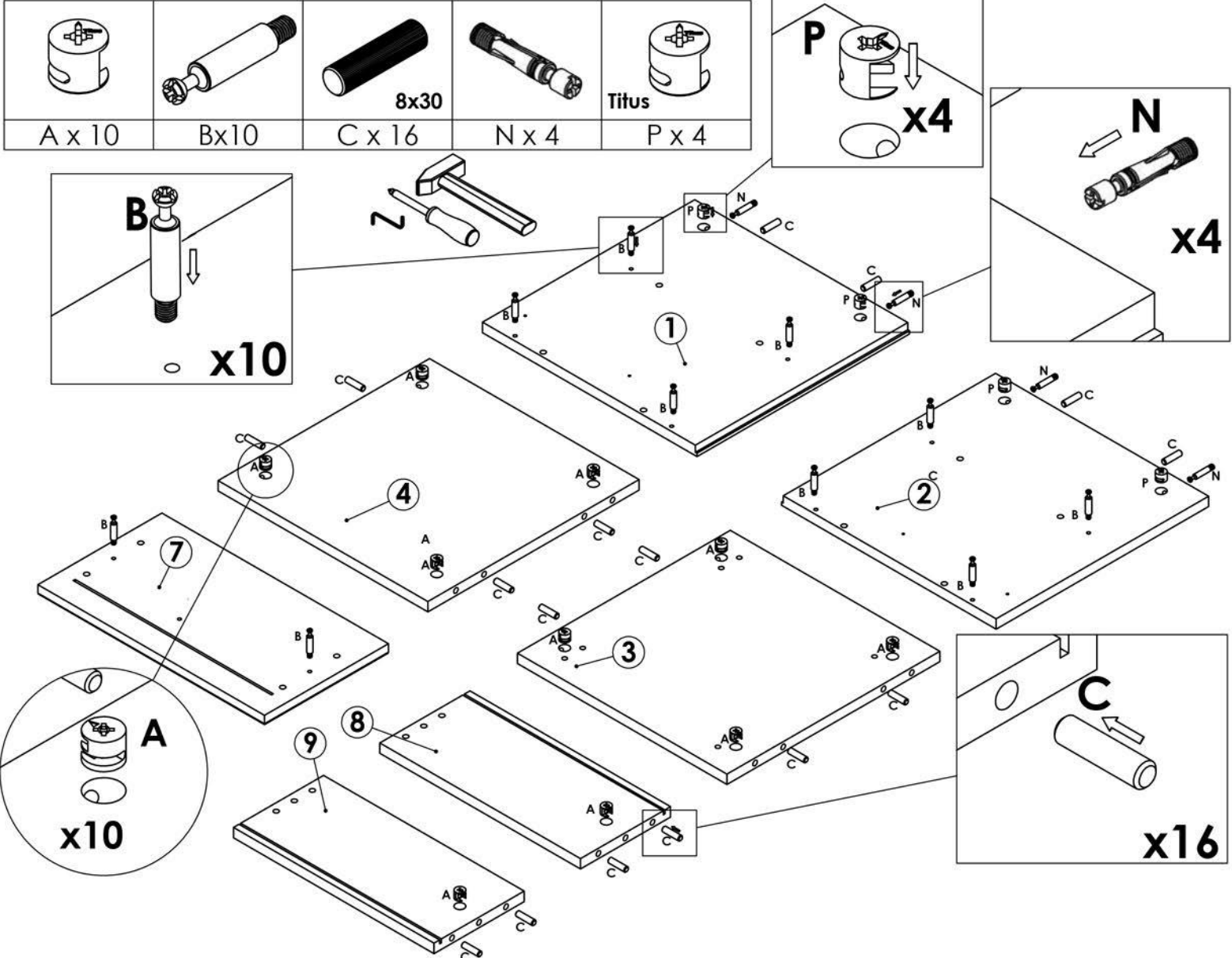
04.03.2021

		 8x30	 7x50	 3,5x13			 4x12
A x 10	B x 10	C x 16	D x 10	E x 8	F x 1	G x 15	H x 1
							
I x 1	JL(A/B) x 1		JP(A/B) x 1		K x 1	L x 1	M x 4
	 6x13	 Titus					
N x 4	O x 4	P x 4					

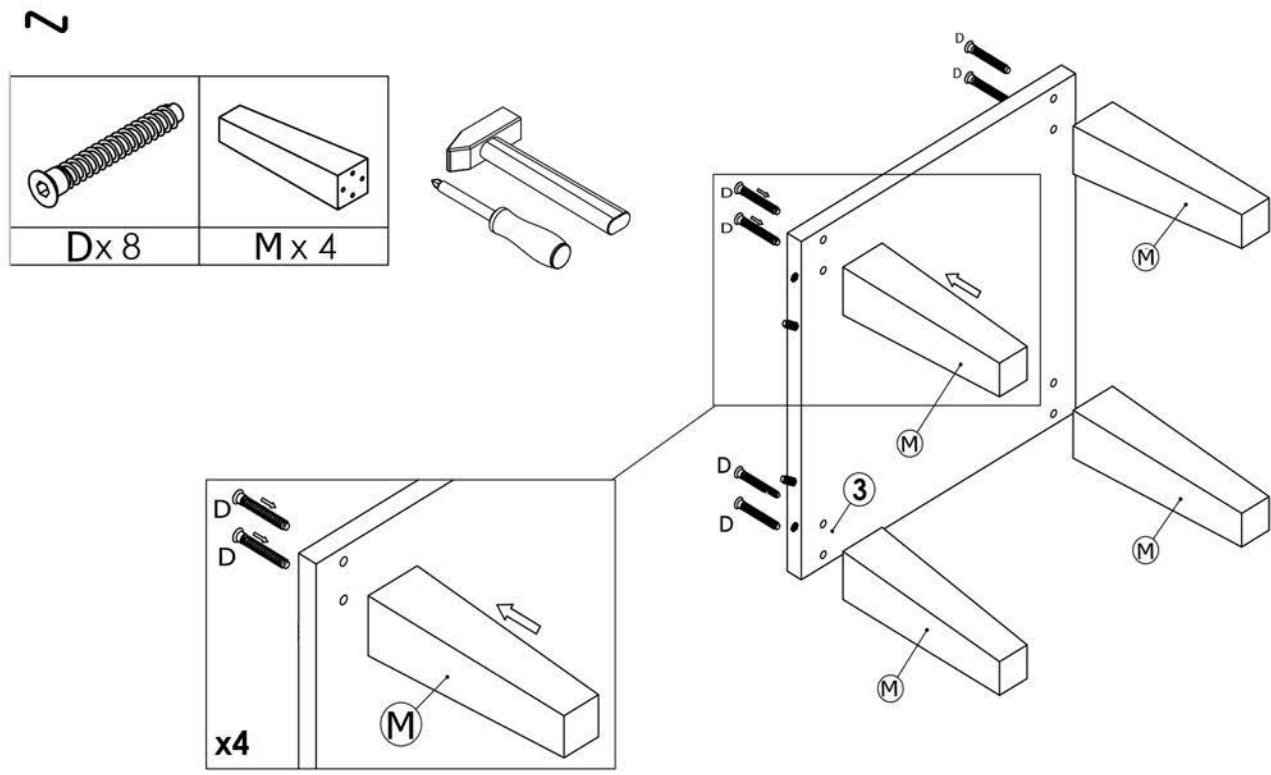


"BOPITA"  
LION INTERNATIONAL B.V.  
ENERGIEWEG 1  
6662 NS ELST GLD  
NEDERLAND  
[www.bopita.com](http://www.bopita.com)

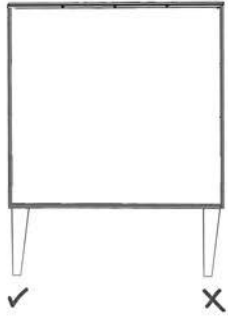
**STEP-1**



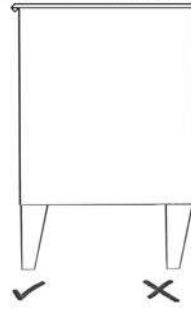
**STEP-2**



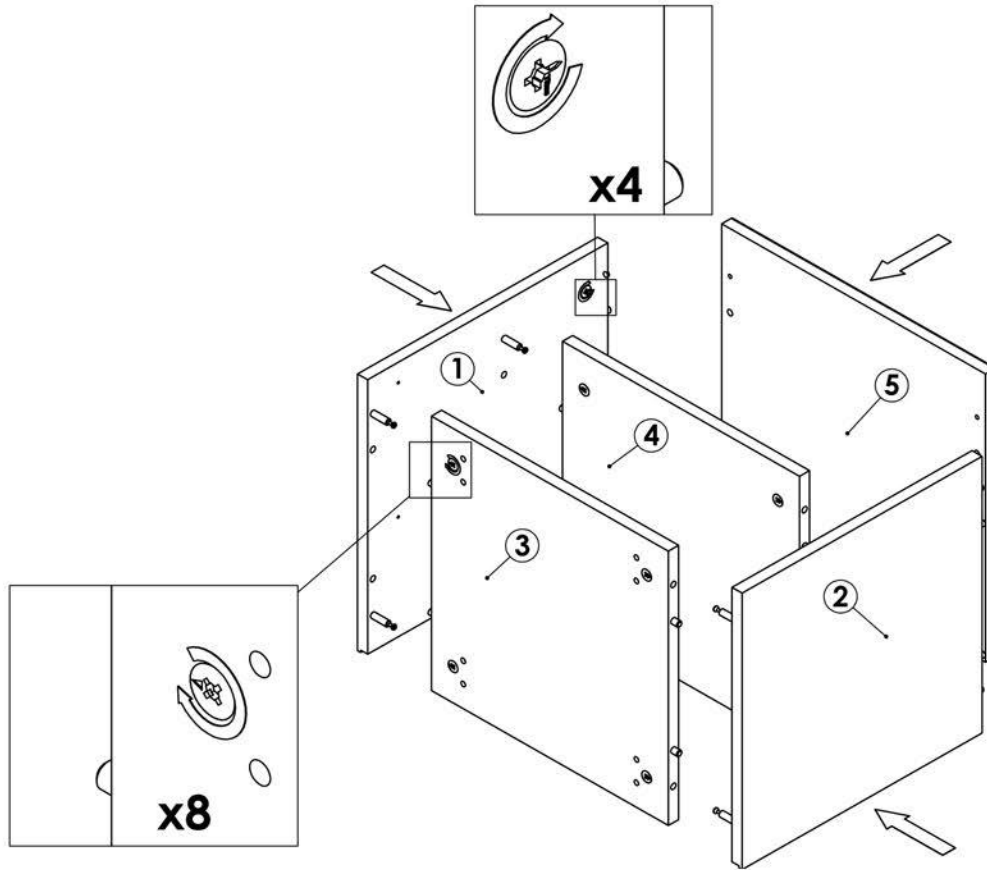
FRONT VIEW



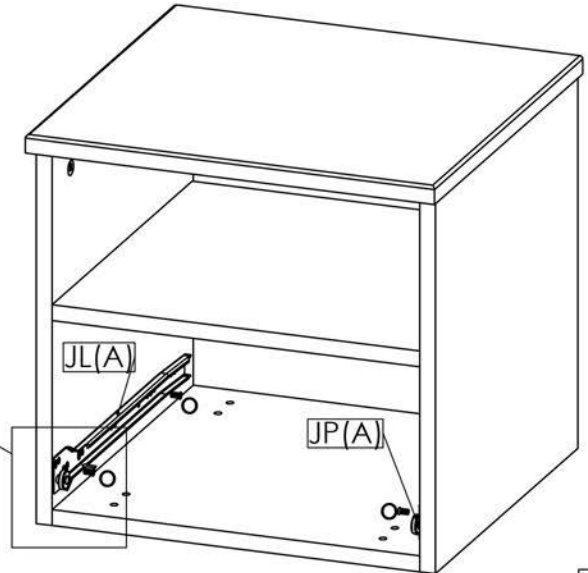
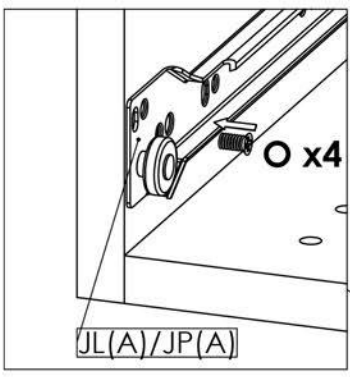
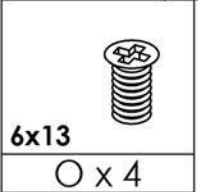
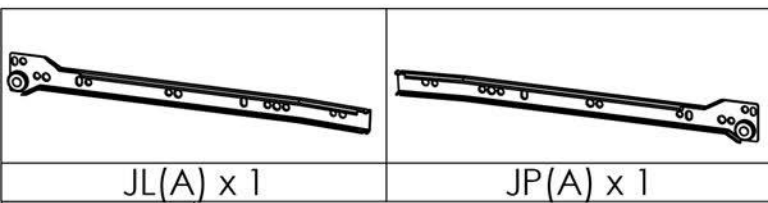
SIDE VIEW





STEP-3

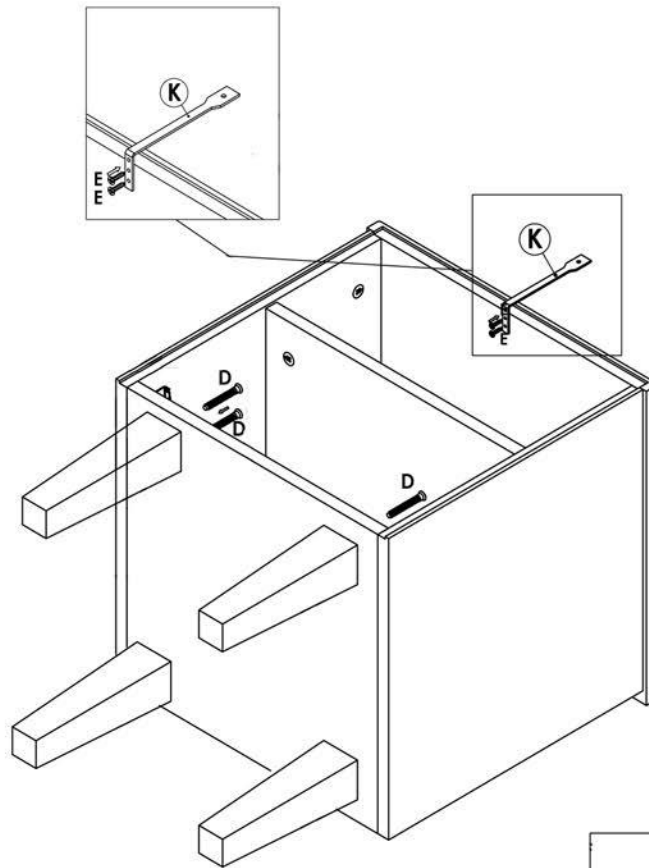


STEP-4


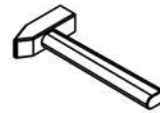


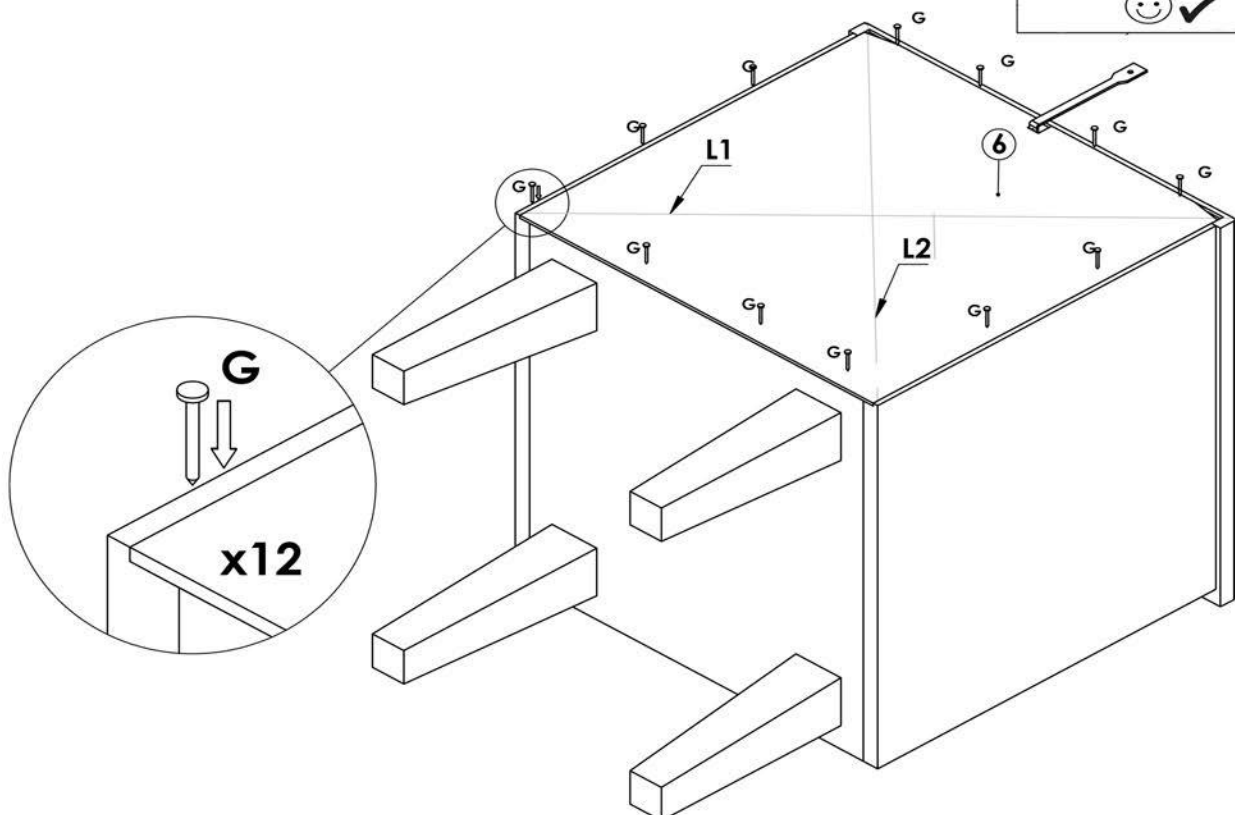
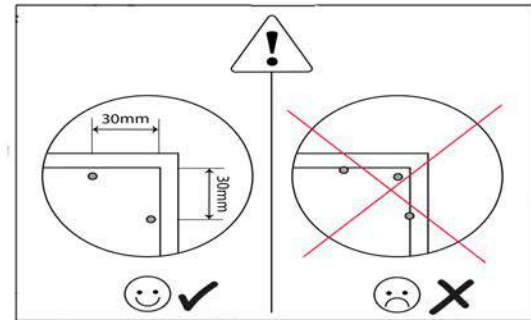
### STEP-5

 3,5x13	 K x 1
E x 2	K x 1






### STEP-6

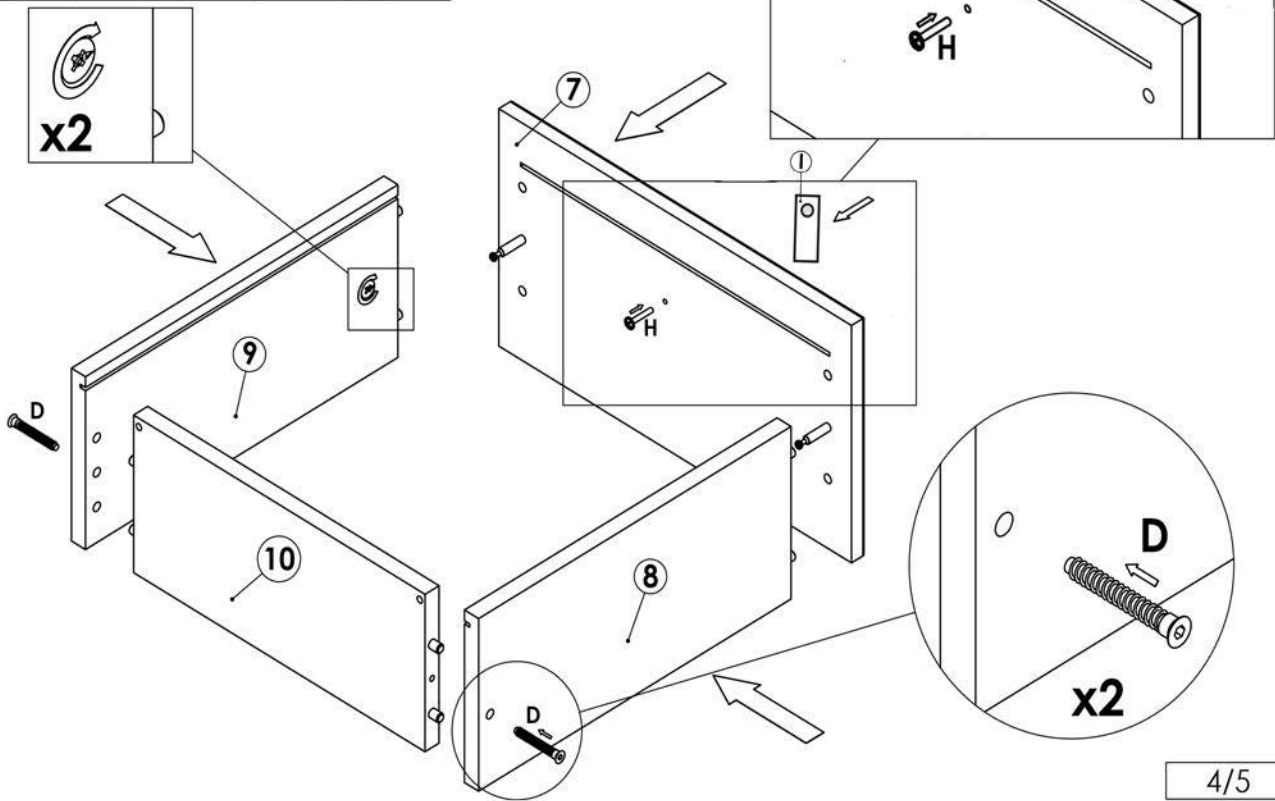
 G x 12	
---	---






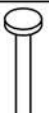
L1=L2

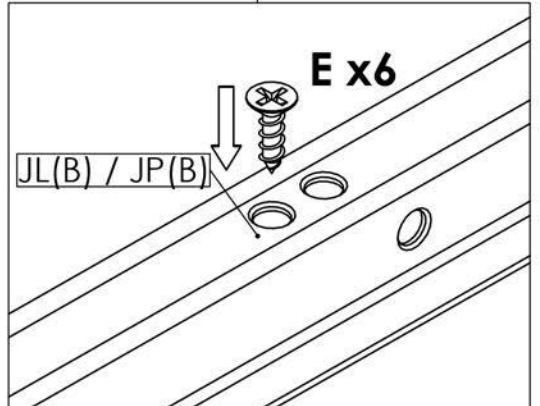
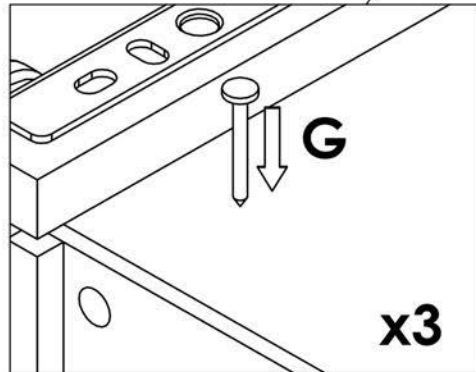
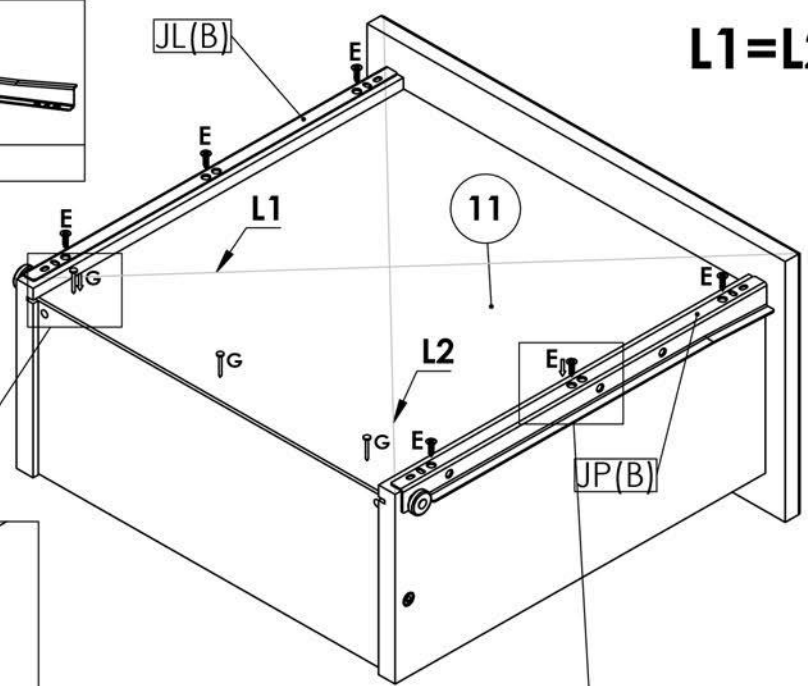
**STEP-7**

 7x50 D x 2	 I x 1	 4x12 H x 2
--	---	---

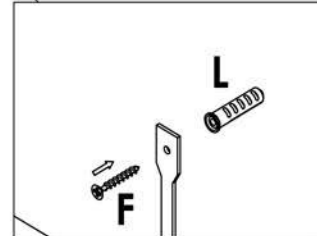
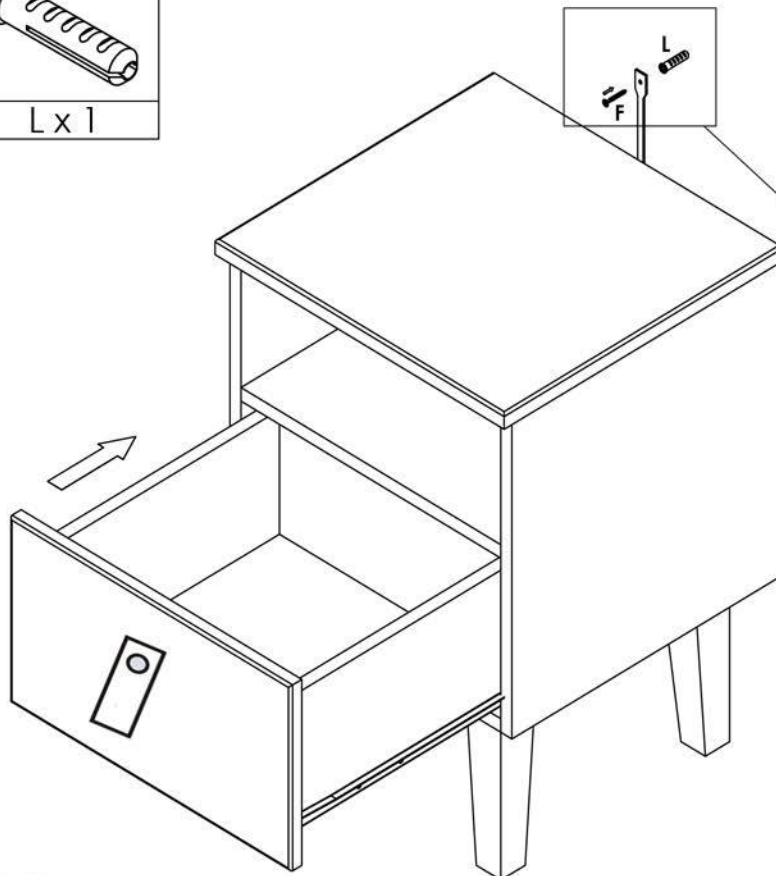
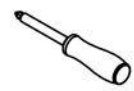
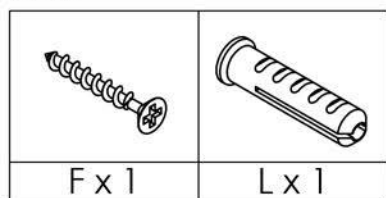


**STEP-8**

 JL(B) x 1	 JP(B) x 1
 3.5x13 E x 6	 G x 3



## STEP-9



## QC-CODE

- (UK) for service requests
- (NL) voor service vragen
- (FR) pour les demandes de service
- (DE) für Service Anfragen
- (ES) para consultas de servicio
- (IT) per richieste di assistenza

